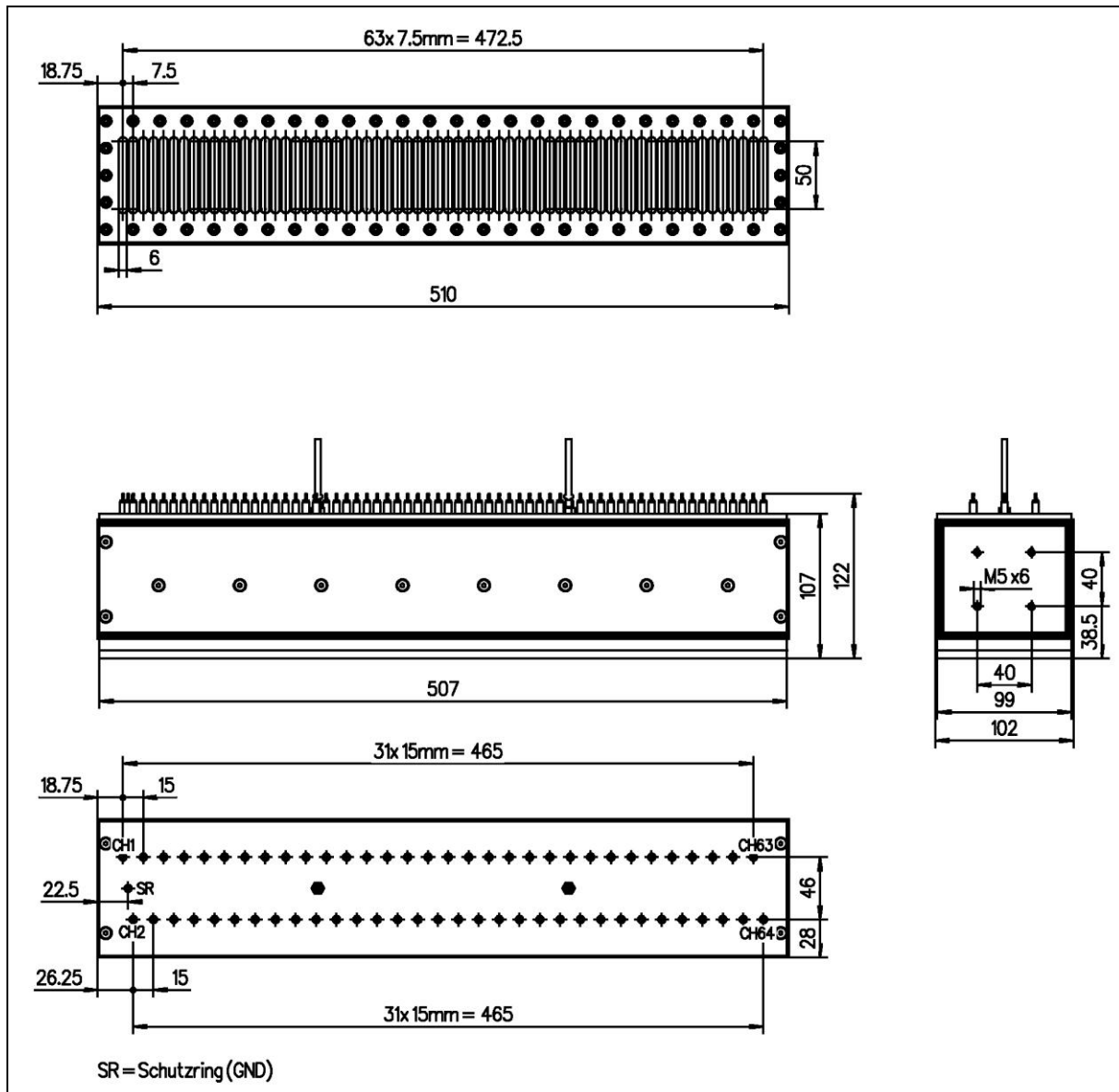
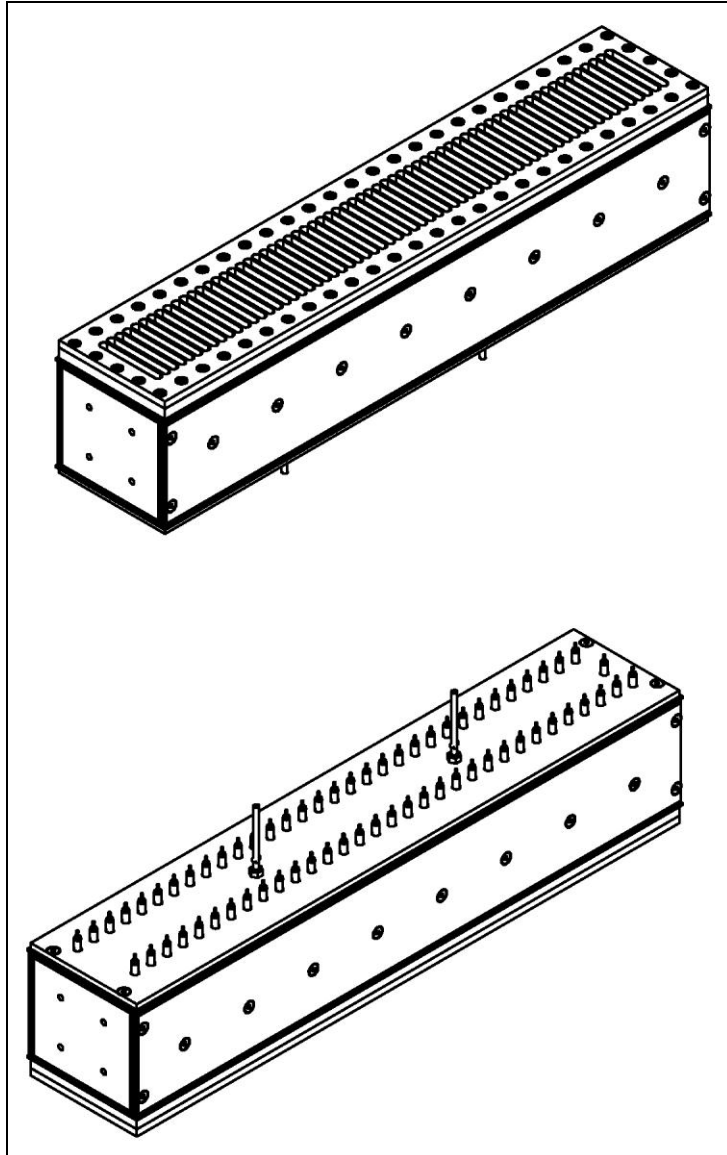


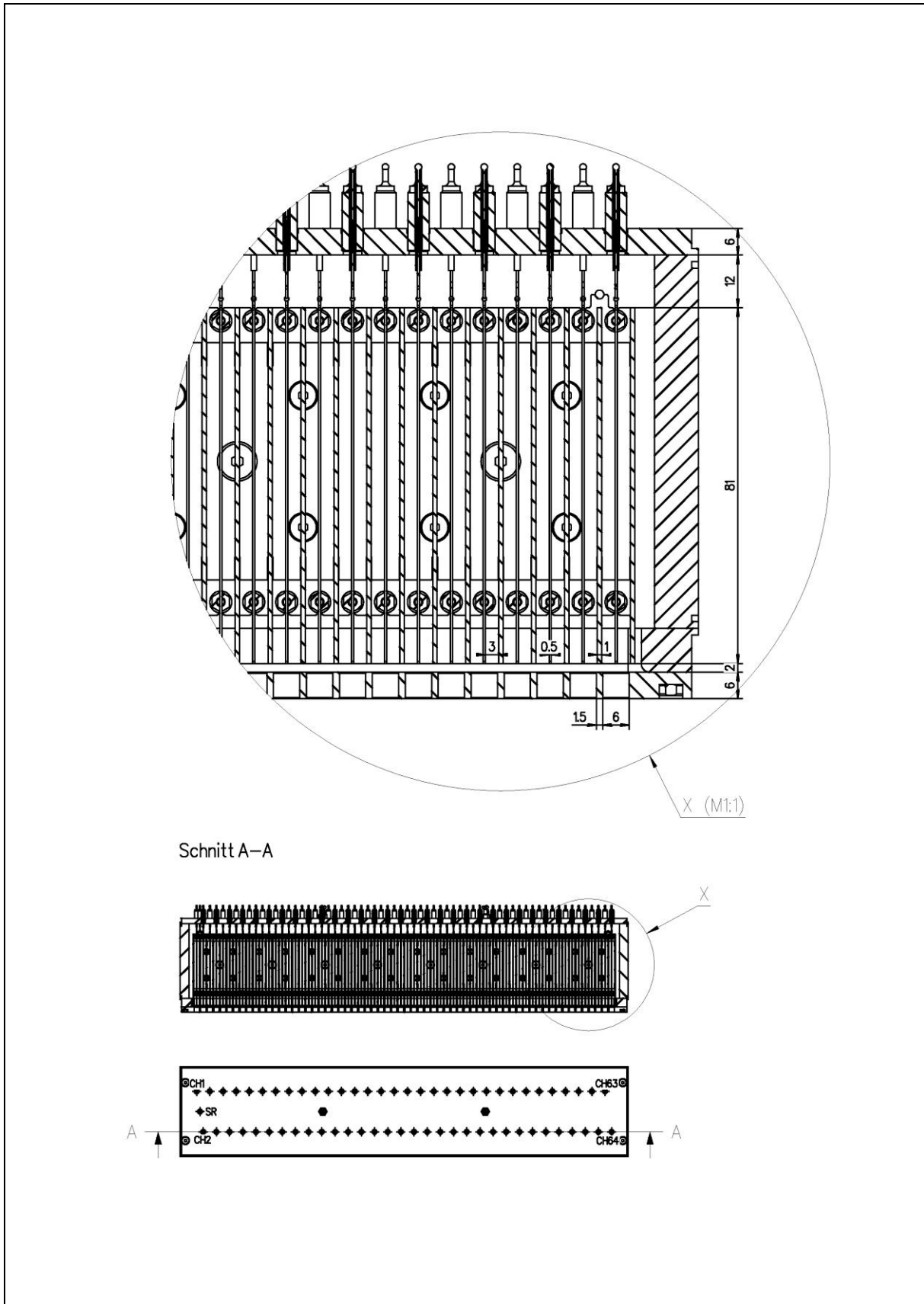
Multichannel detector / Ionizationchamber-Array



Dimension of the multichannel detector 70 702. The detector in the drawing has 64 measuring channels. The detector is called "Ionizationchamber Array". Ionizationchamber arrays are sensitive for X-ray, gamma ray and isotope radiation.

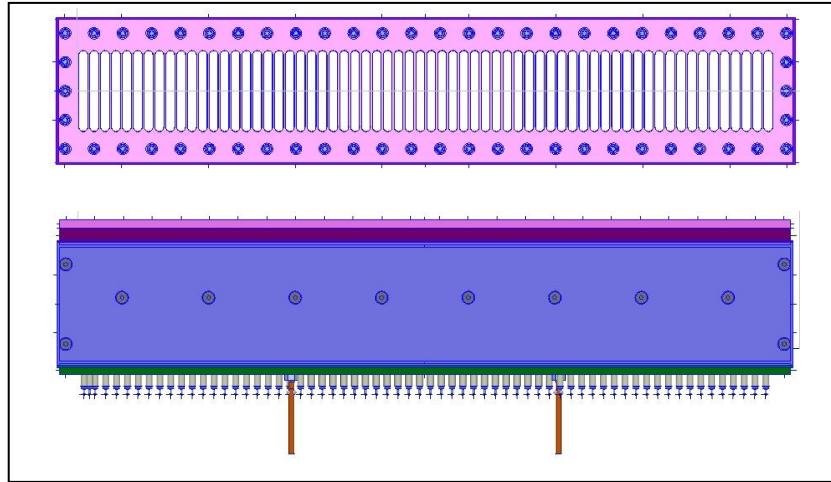


3-D views of an Ionizationchamber Array.

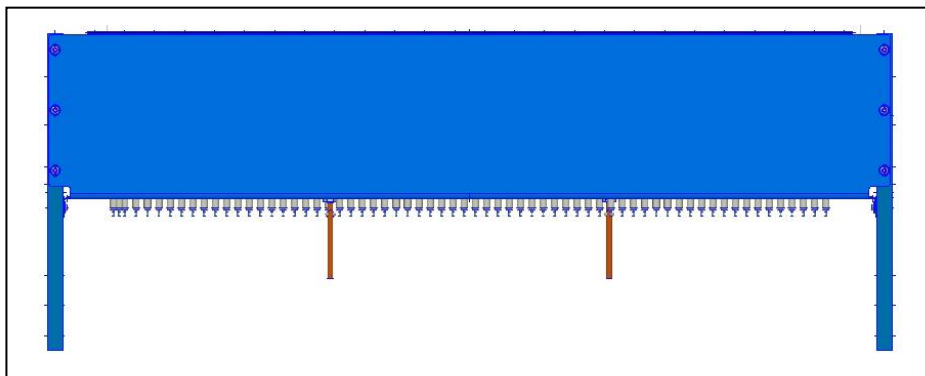


Detailed view of sophisticated setup of an Ionizationchamber Array.

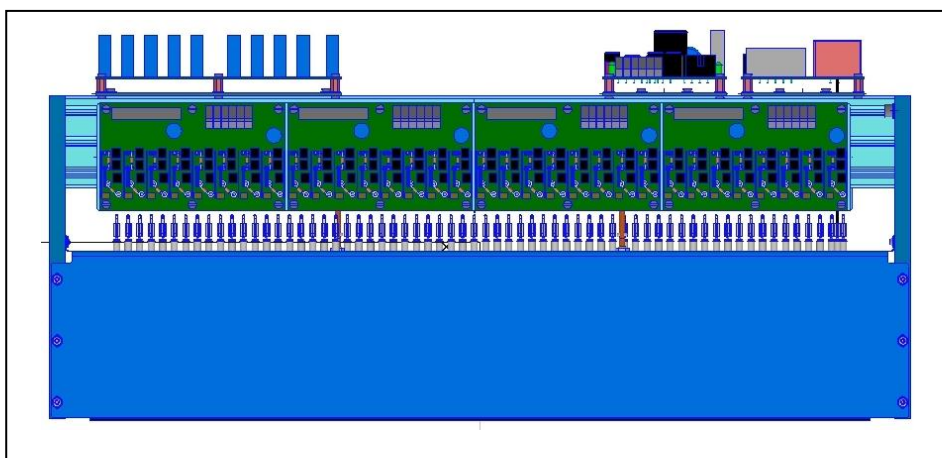
Several expansion stages of an Ionizationchamber Array – From a simple Array to a Measuring head including measuring electronics.



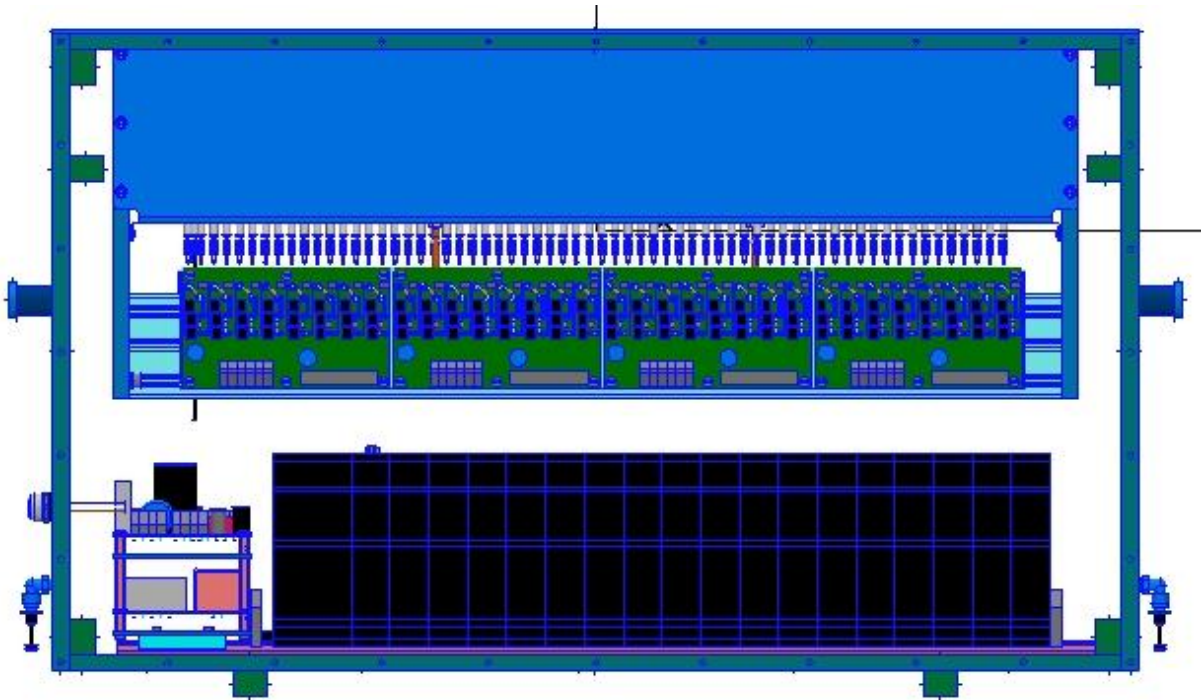
Front- and side-view of the Ionizationchamber Array



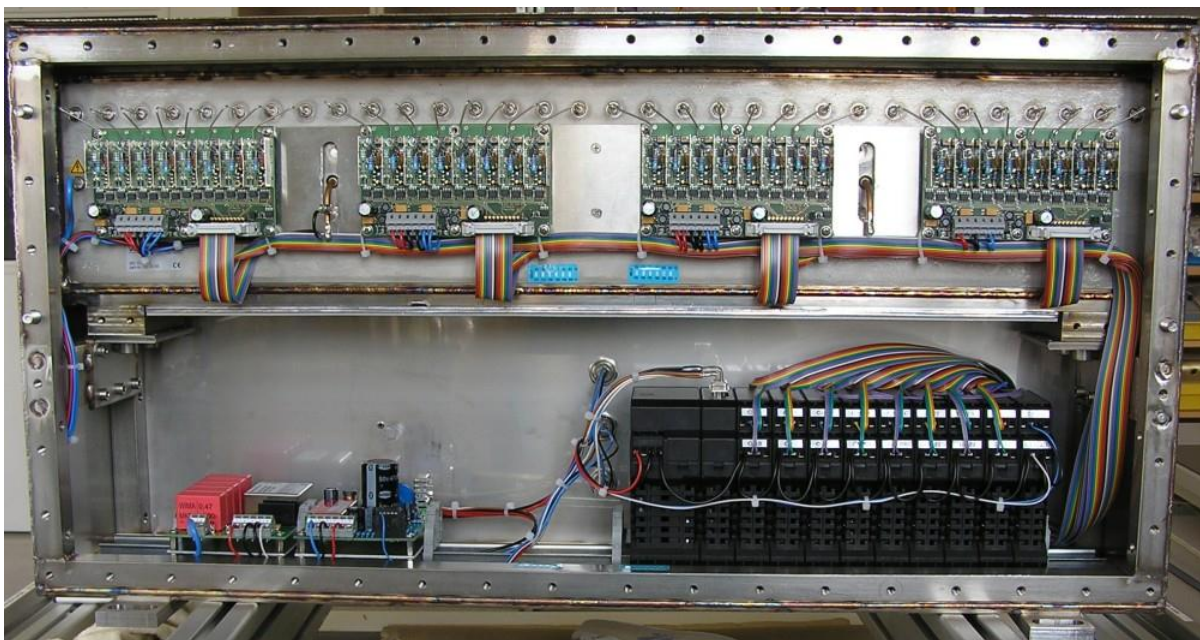
Ionizationchamber Array with some mechanics and shielding.



Ionizationchamber electronics such as high voltage supply and with amplifiers for signal gain.



Ionizationchamber Array with electronics and analogue-digital conversion BUS-systems (e.g. PROFIBUS) encased in a waterproof housing.



Exemplary picture of a real Measuring head consisting of a multi channel sensor with 32 cells amplifiers and PROFIBUS.